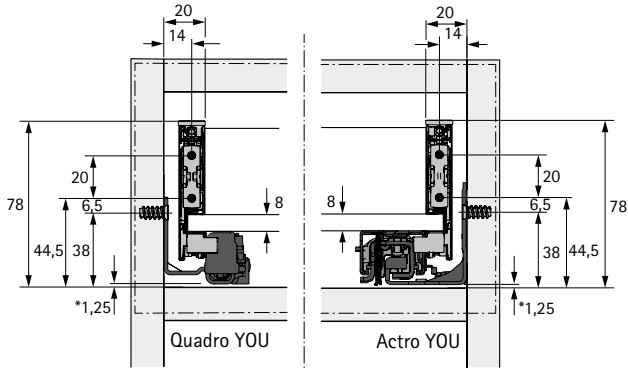
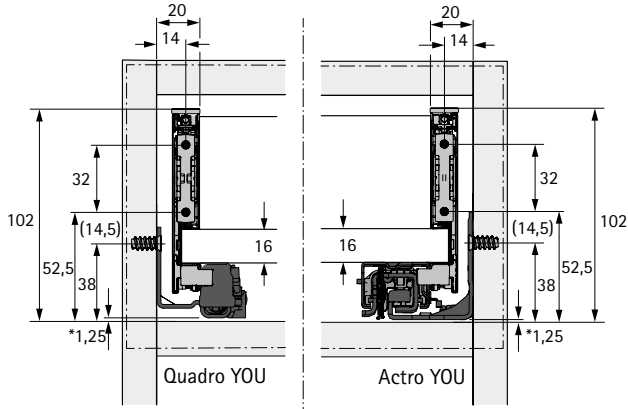


H 77



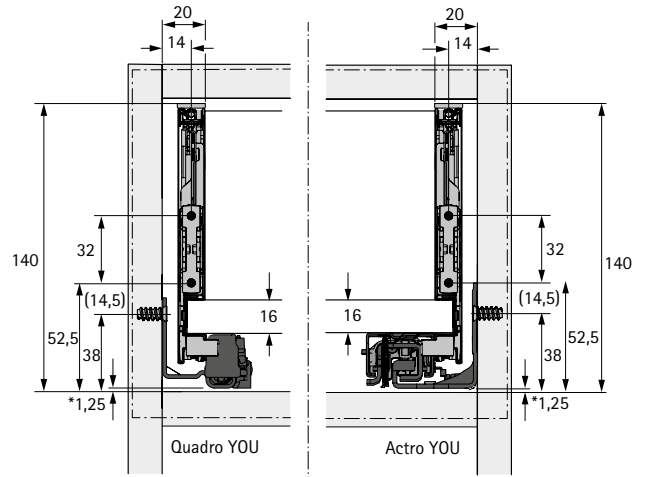
* Push to open Silent

H 101



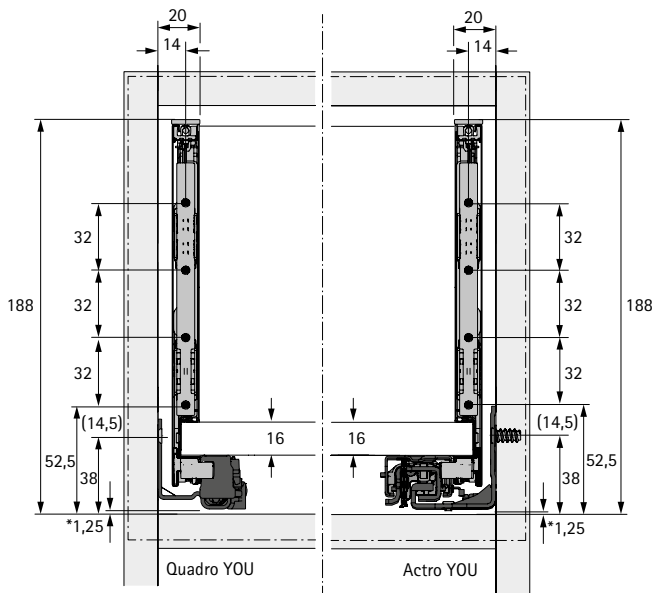
* Push to open Silent

H 139



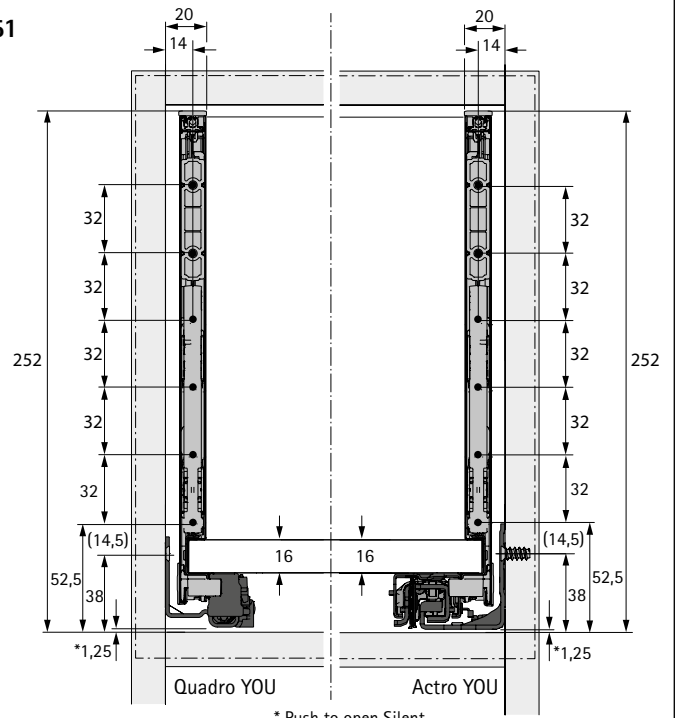
* Push to open Silent

H 187

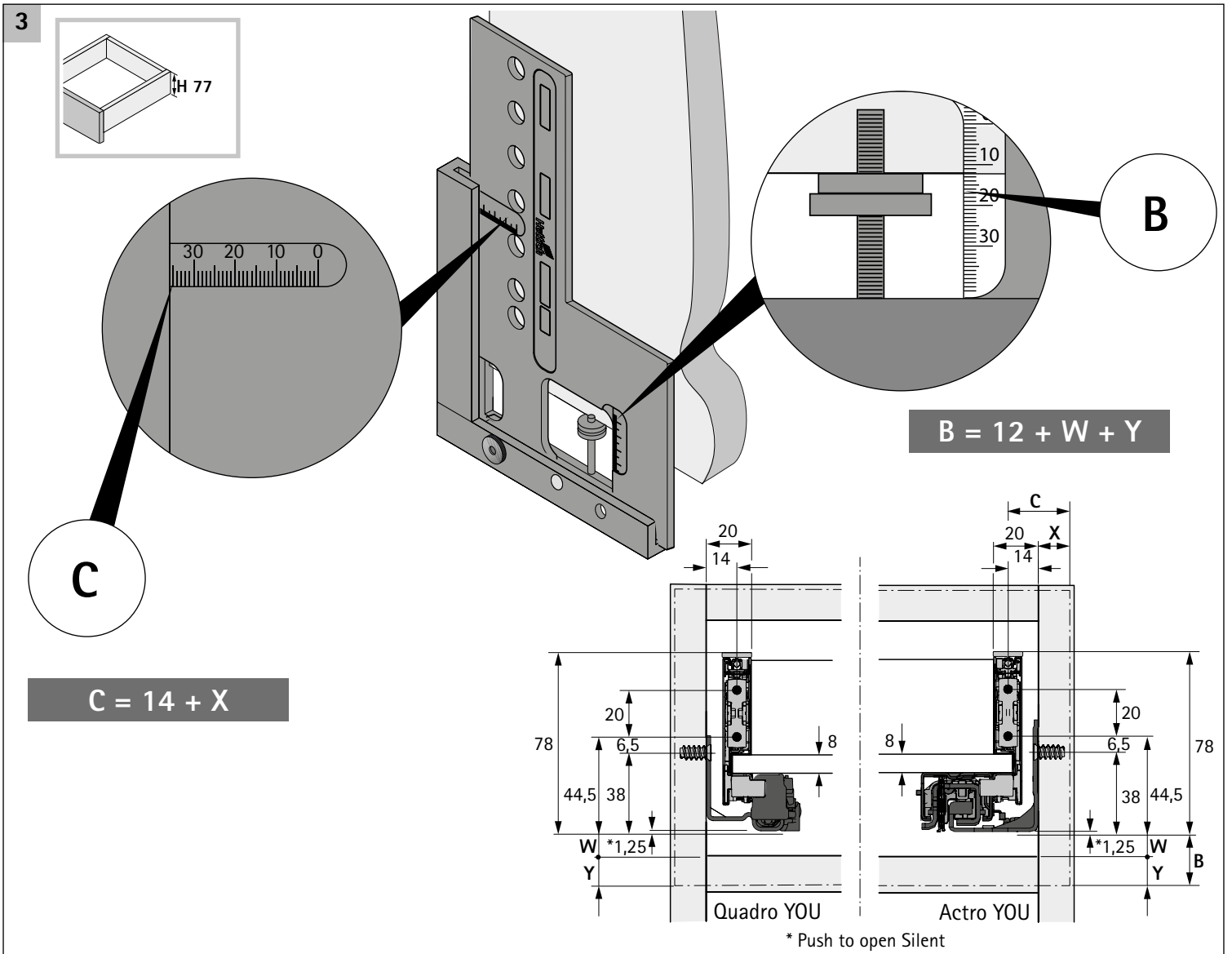
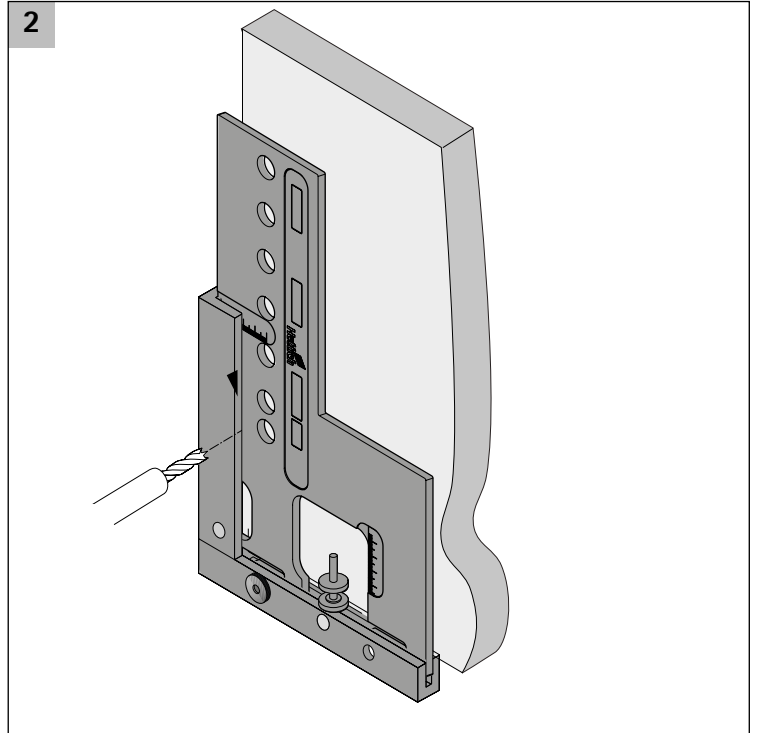
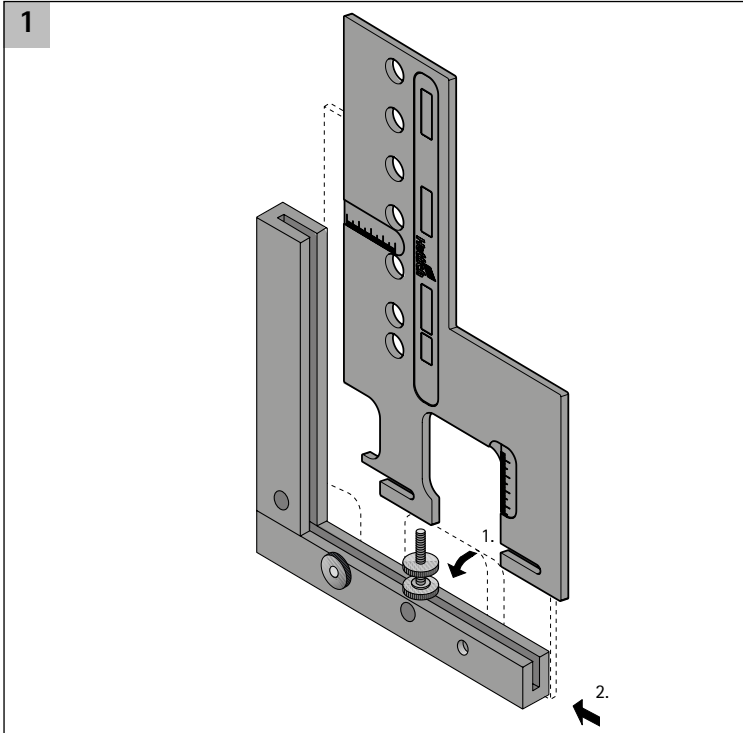


* Push to open Silent

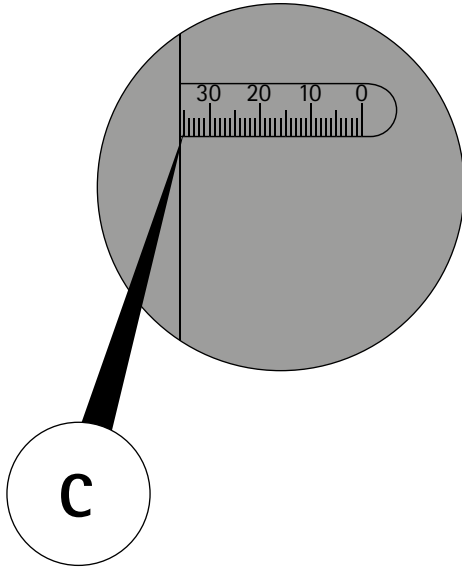
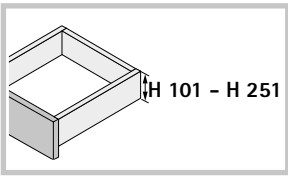
H 251



* Push to open Silent

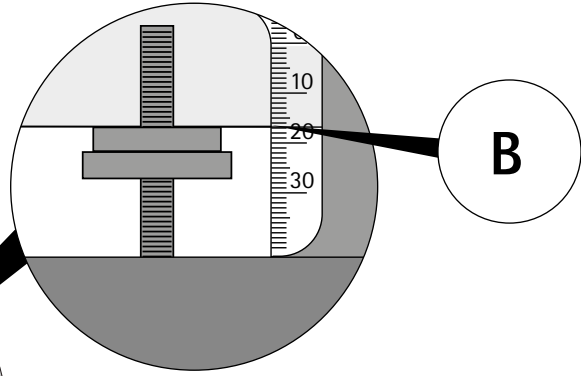
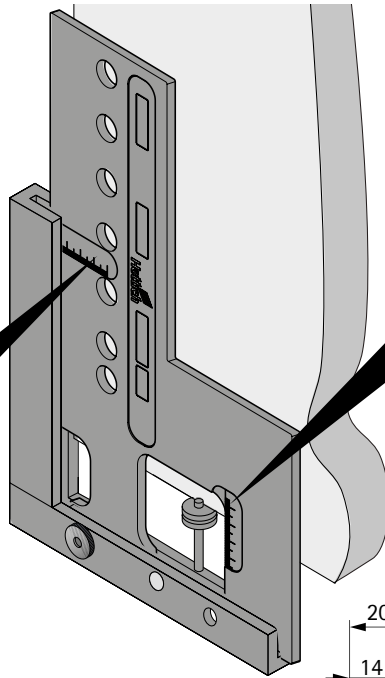


4



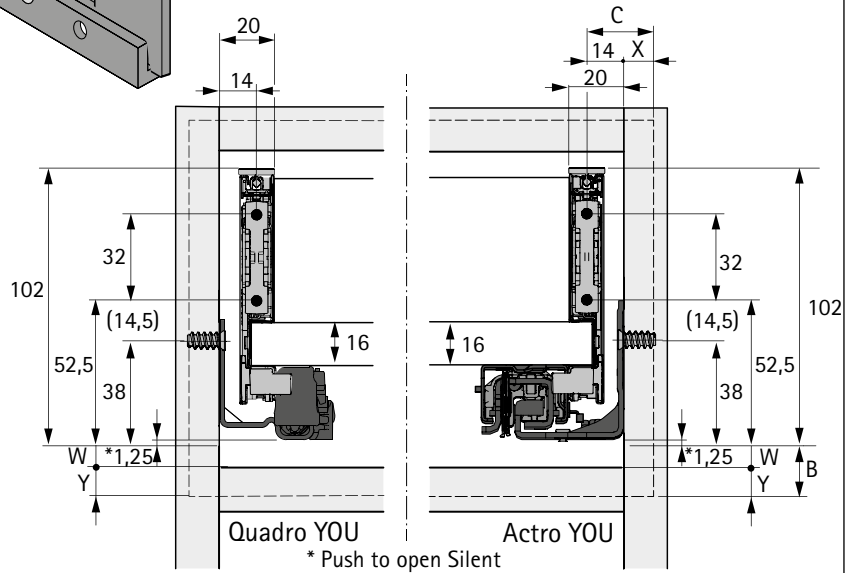
C

$C = 14 + X$



B

$B = W + Y$



Technik für Möbel

